

Stromag Light Cam® Compact Geared Cam Limit Switches



Stromag

Founded in 1932, Stromag has grown to become a globally recognized leader in the development and manufacture of innovative power transmission components for industrial drivetrain applications. Stromag engineers utilize the latest design technologies and materials to provide creative, energy-efficient solutions that meet their customer's most challenging requirements.

Stromag's extensive product range includes flexible couplings, disc brakes, limit switches, an array of hydraulically, pneumatically, and electrically actuated brakes, and a complete line of electric, hydraulic and pneumatic clutches.

Stromag engineered solutions improve drivetrain performance in a variety of key markets including energy, off-highway, metals, marine, transportation, printing, textiles, and material handling on applications such as wind turbines, conveyor systems, rolling mills, agriculture and construction machinery, municipal vehicles, forklifts, cranes, presses, deck winches, diesel engines, gensets and stage machinery.



VISIT US ON THE WEB AT STROMAG.COM

Altra Motion

Altra is a leading global designer and producer of a wide range of electromechanical power transmission and motion control components and systems. Providing the essential control of equipment speed, torque, positioning, and other functions, Altra products can be used in nearly any machine, process or application involving motion. From engine braking systems for heavy duty trucks to precision motors embedded in medical robots to brakes used on offshore wind turbines, Altra has been serving customers around the world for decades.

Altra's leading brands include **Ameridrives**, **Bauer** Gear Motor, **Bibby** Turboflex, **Boston** Gear, **Delevan**, **Delroyd** Worm Gear, **Formsprag** Clutch, **Guardian** Couplings, **Huco**, **Jacobs** Vehicle Systems, **Kilian**, **Kollmorgen**, **Lamiflex** Couplings, **Marland** Clutch, **Matrix**, **Nuttall** Gear, **Portescap**, **Stieber**, **Stromag**, **Svendborg** Brakes, **TB Wood's**, **Thomson**, **Twiflex**, **Warner** Electric and **Wichita** Clutch.

VISIT US ON THE WEB AT ALTRAMOTION.COM



CONTENT

Catalog Light Cam® Compact: **VII**

At a Glance	4
Light Cam® Compact – Basic Design	5
Light Cam® Compact – Gear Data	6
Light Cam® Compact – Available Switches	7
Light Cam® Compact, AAA	8
Customizable Cam Discs	9
Option: Drive element	10
Key Of Types	11

Stromag Geared Cam Limit Switches

AT A GLANCE



STROMAG LIGHT CAM® COMPACT

BENEFITS INCLUDE

- Form fit gear
- Self locking design for the cam discs
- High gear ratio 74 for adjusting the cams
- Very small dimensions

Series Light Cam® Compact – Basic Limit Switch

Revision number: 3.1.7.1-01

Revision date: 14.02.2022

Features

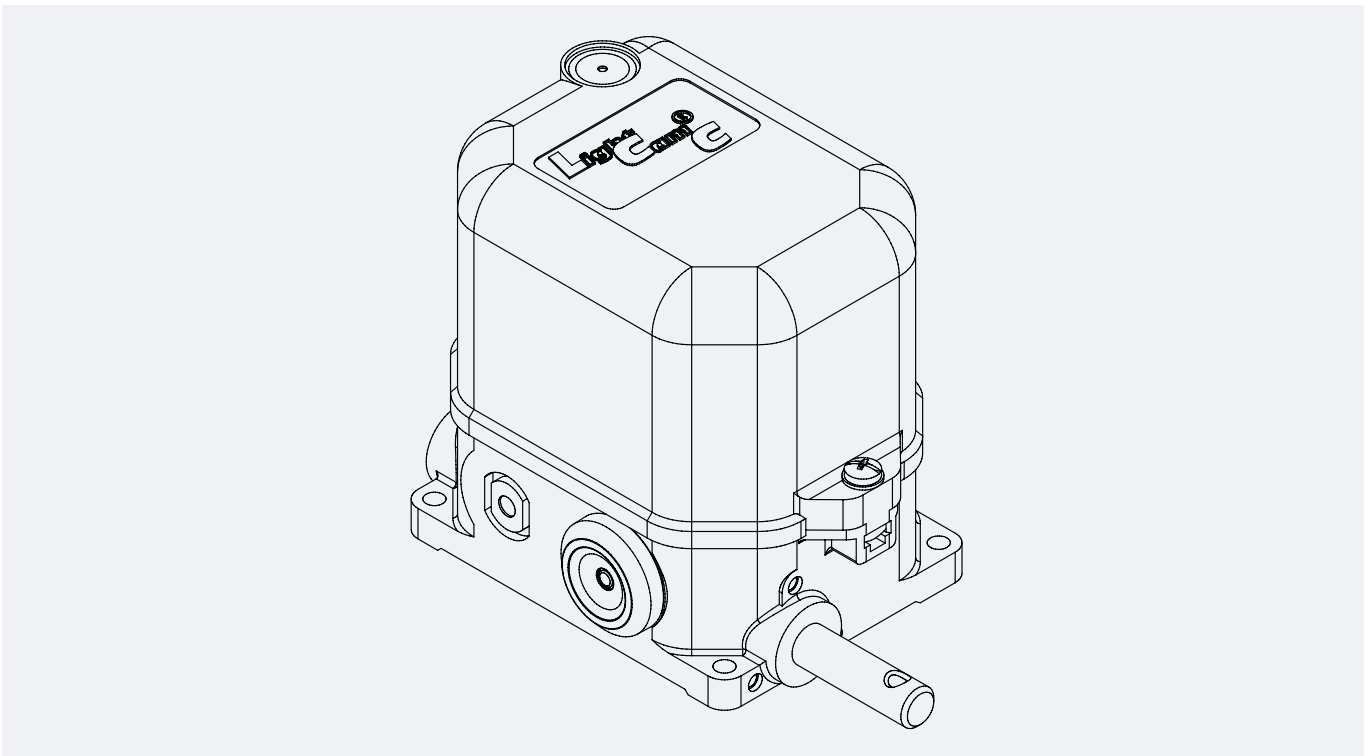
- Very small dimensions
- Combined worm / spur gear
- 2 or 4 switching contacts available

Application

- Crane & Hoists
- Stage

Additional information

- PBT synthetic housing, IP 66
- Ambient temperature -25° ... +60°C



Compact Worm Gear Limit Switches

Series Light Cam® Compact – Gear Data

Revision number: 3.1.7.2-01

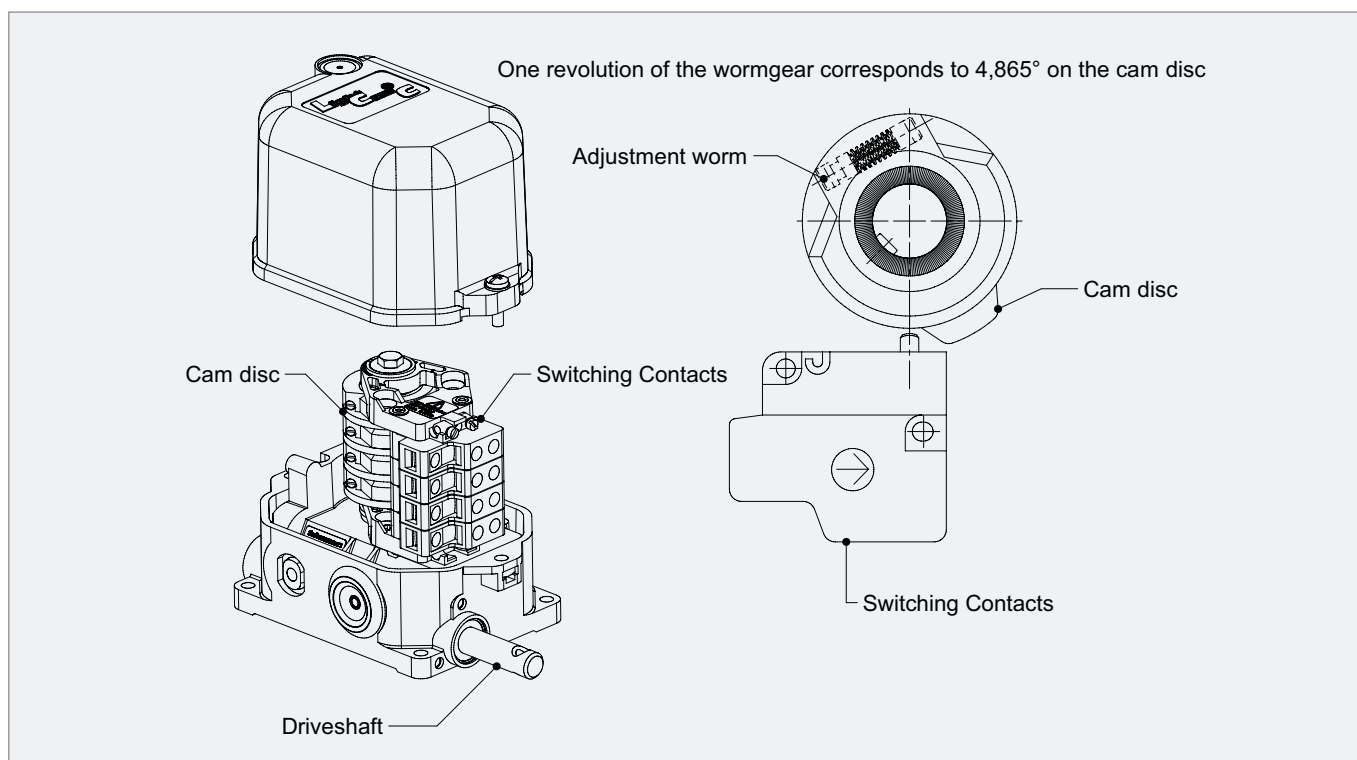
Revision date: 14.02.2022

Features

- Cam discs with fine adjustment and cam diameter of 42,5 mm
- Form fit gear design

Additional information

- Self-locking design for the cam discs
- Very precise adjustment via a self-locking adjusting worm with a high reduction ratio of 74:1



Gear table LCC for switches 99, 99A, 99G, 99T

Nominal revolutions at 40° - cam disc	Ratio	Usable revolutions on drive shaft	Overrun revolutions on drive shaft	Switch back revolutions on drive shaft (average value)		max. drive speed	min. drive speed	min. drive torque for switching 1 switch	max. drive torque for direct opening action 1 switch
				99, 99G	99A, 99T				
[-]	[i]	[U]	[U]	[U]	[U]	[U/min]	[U/min]	[Nm]	[Nm]
44	50,0	44,4	5,5	0,5	0,4	400	2,4	< 0,2	> 0,3
88	100,0	88,8	11,1	0,8	0,4		4,9		
132	150,0	133,3	16,6	0,9	0,4		7,3		
220	250,0	222,2	27,7	1,2	0,5		12,2		

Series Light Cam® Compact – Switching Contacts

Revision number: 3.1.7.3-01

Revision date: 14.02.2022

Features

- Switching contacts with positive opening
- For up to 10 million switching operations
- Push or snap action switching contacts
- Screw connection

Application

- Silver switching contacts for relays
- Corrosion-free, gold-plated switching contacts with low contact resistances for smaller switching loads on request

Switching contact			Contact material		Switching system		Connection	Functionality		Electrical data		
Designation	Change-Over (NC / NO)	Normally closed (NC)	Silver	Gold (PLC-Application)	Snap-action switch	Push-action switch	screw terminals; 0,5 - 1,5 mm ² / AWG 22 ... 16	Direct opening acc. to EN 60947-5-1 Annex K	Short circuit protection	Ratings acc. to IEC 60947	Conventional thermal current I _{th}	Rated Insulation Voltage U _i
99	•		•		•		•	•	10A gG	AC-15: 1,5A, 230V	10A	250V
99G	•			•	•	•	•	2A gR				
99T		•	•			•	•	•	10A gG			
99A		•		•	•	•	•	•	2A gG	DC-13: 2,0A, 24V		

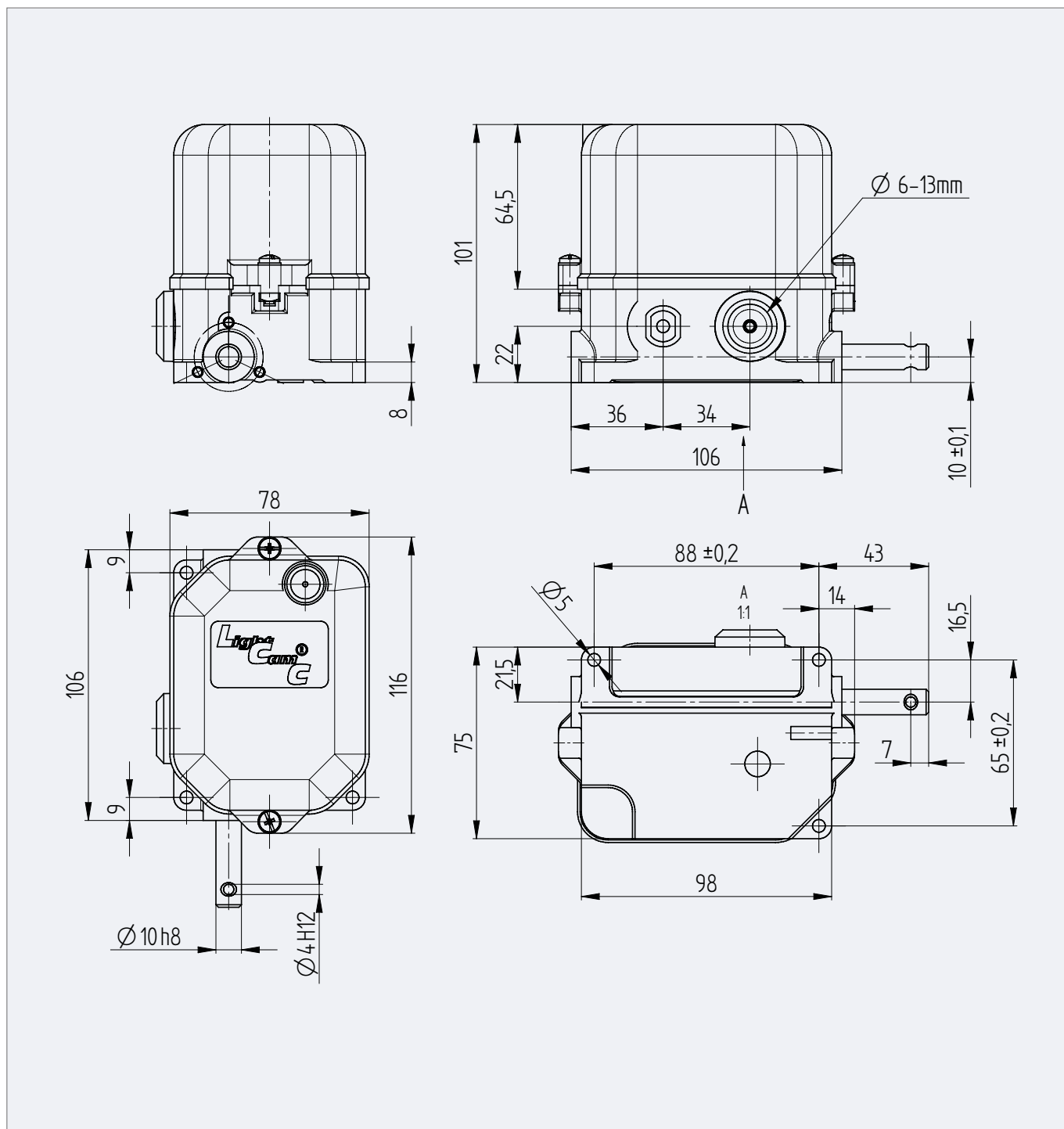
= applicable

Compact Worm Gear Limit Switches

Series Light Cam® Compact – XXX_LCC_XXX_AAA

Revision number: 3.1.7.4-01

Revision date: 14.02.2022



Series Light Cam® Compact – Customizable Cam Discs

Revision number: 3.1.7.5-01

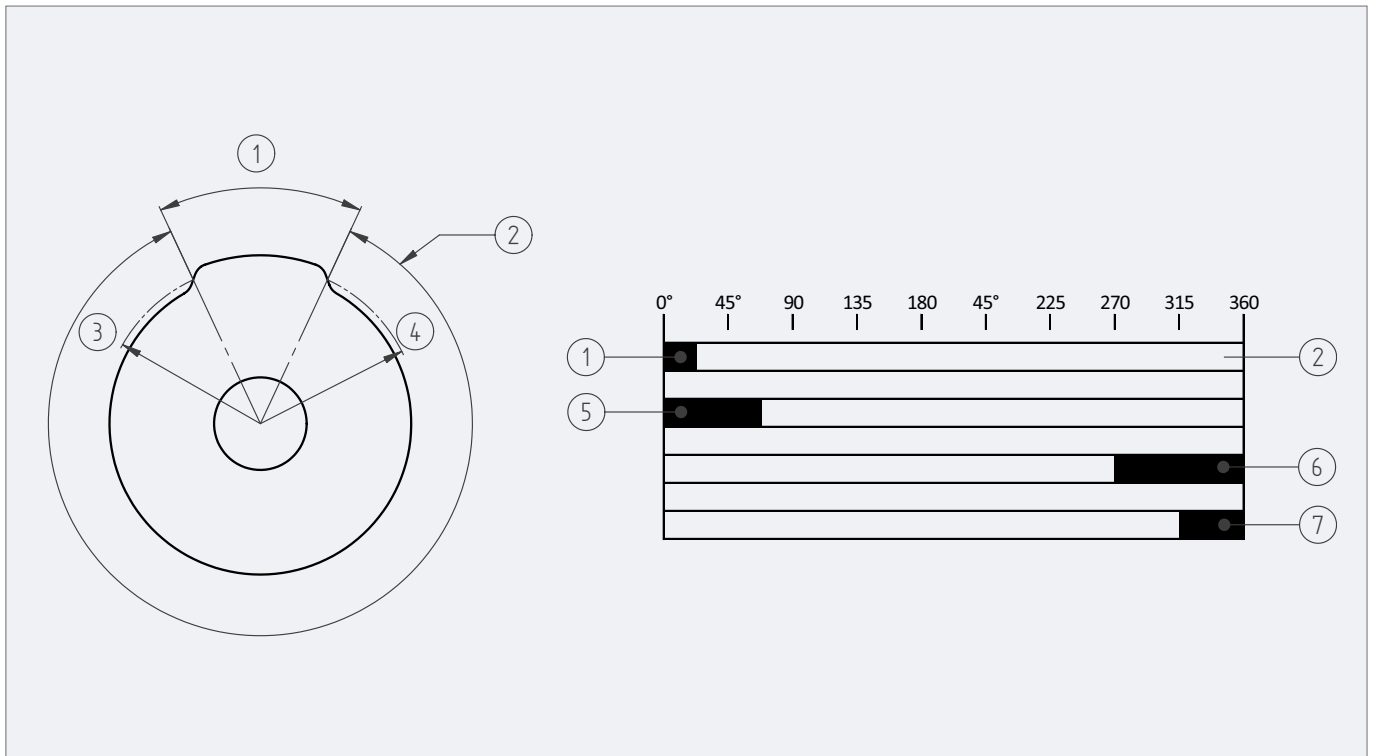
Revision date: 14.02.2022

Features

- 40 degree standard cam discs
- 15 and 60 degree cam discs free of charge on request
- Other cam angles on request against surcharge

Application

- For different switching programs cam discs with customized angles can be manufactured



- | | |
|---|--|
| 1 | Effective cam angle α [°] (=castor angle) |
| 2 | Effective cam angle β [°] |
| 3 | Switching point radius |
| 4 | Reset point radius |

- | | |
|---|-------------------------|
| 1 | Effective cam angle 15° |
| 5 | Effective cam angle 60° |
| 6 | Effective cam angle 90° |
| 7 | Effective cam angle 45° |

The cam discs are named after the effective cam angle. For cam discs of series Light Cam® Compact, this corresponds to the switching point angle on the switching point radius of the cam disc.

Standard cam angle for series Light Cam® Compact is 40°.

Any cam angles (15° up to 345°) can be supplied as a special design upon request.

The usable revolutions enabled by a cam disc on a Geared Cam Limit Switch drive shaft, result in the following:

$$U = i * \frac{\beta^\circ}{360^\circ} = i * \frac{(360^\circ - \alpha^\circ)}{360^\circ} = i * \left(1 - \frac{\alpha^\circ}{360^\circ}\right)$$

U = Usable revolutions

α = Effective cam angle [°]

β = Usable cam angle ($\beta = 360^\circ - \alpha$) [°]

i = gear ratio see gear table

Compact Worm Gear Limit Switches

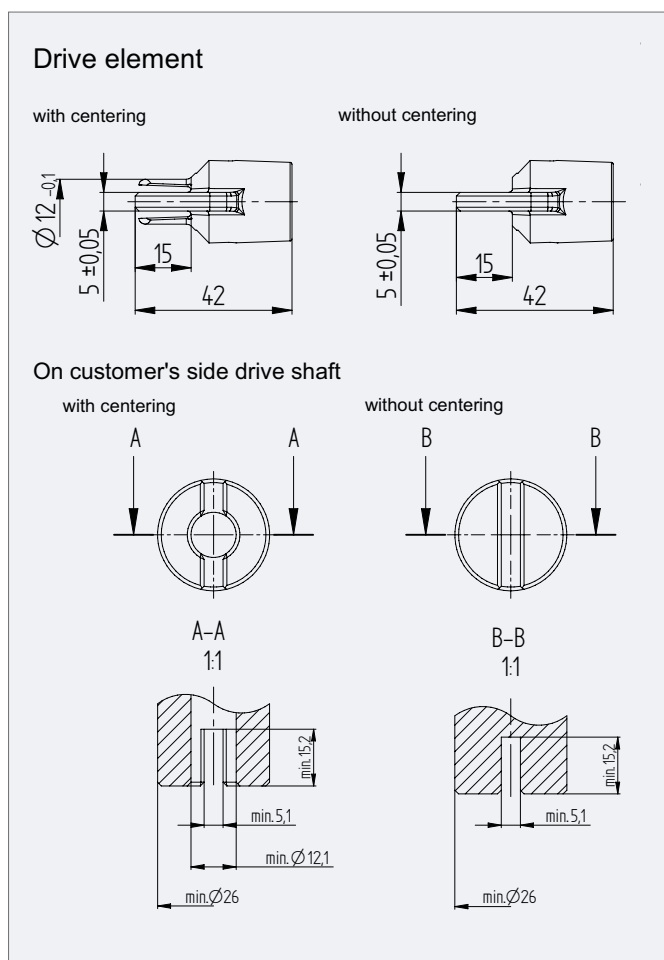
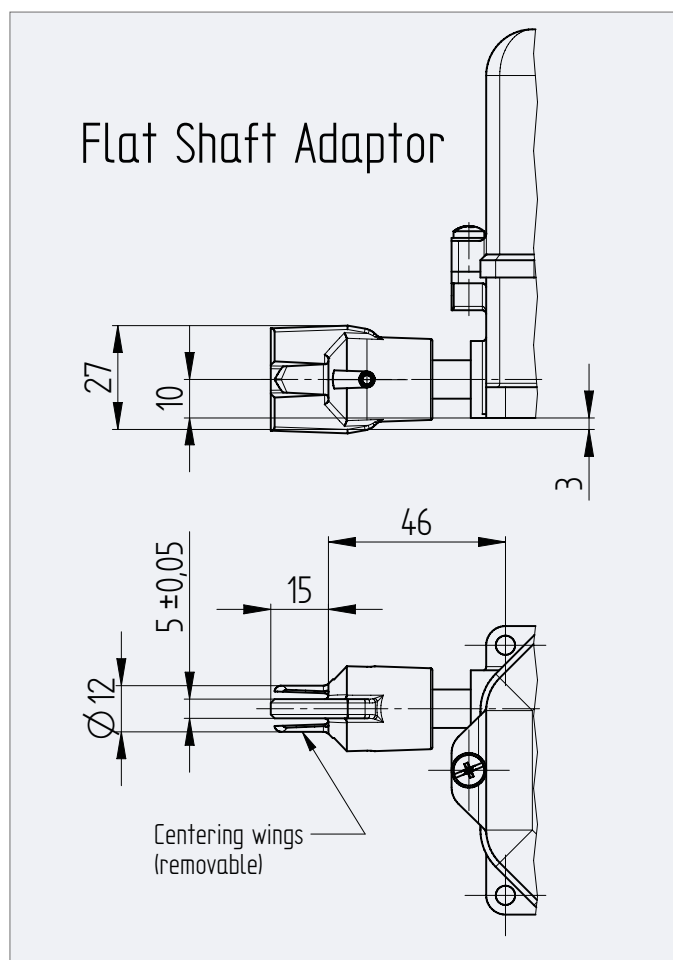
Series Light Cam® Compact – Drive Elements

Revision number: 3.1.7.6-01

Revision date: 14.02.2022

Features

- Simple connection to the machine shaft via the flat shaft adaptor

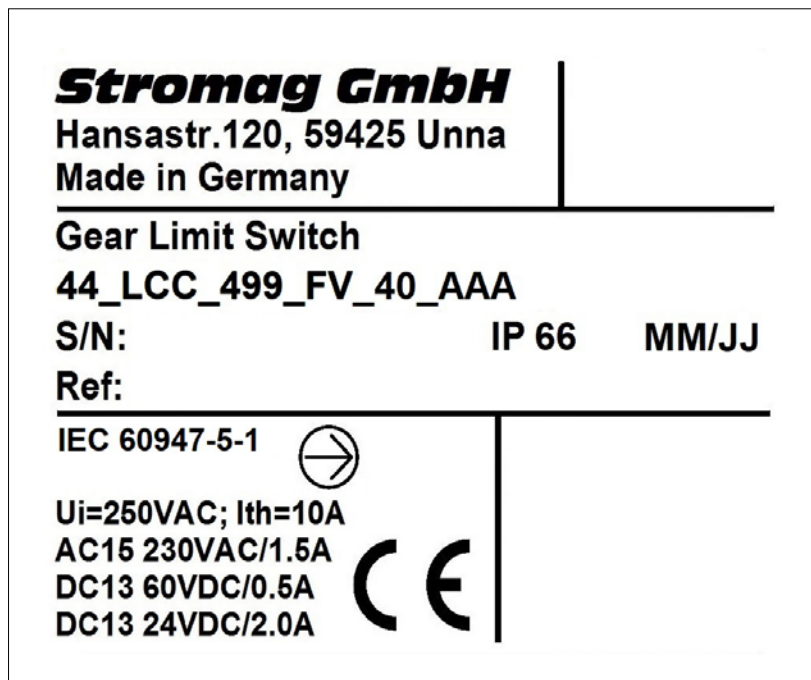


General data		
Specification	Value	Remark
Weight	0,009kg	
Material	PA6 schlagzäh	Synthetic material
Assembly Precision: Avoid misalignment between the driving shaft of the machine and the drive element of the product.		

Series Light Cam® Compact – LCC

Revision number: 3.1.7.7-01

Revision date: 14.02.2022



44	Nominal revolutions	See gear table
LCC	Series	Gear Limit Switch LCC
4	Quantity of switches	2 or 4
99	Type of switches	See available switches
FV	Type of cam discs	Precise adjustable
40	Effective cam angle [°]	all cam discs X customized, see sales text
A	Design	A with feet (B3) X customized, see sales text & additional data sheet
A	Cable entry / connection option	A sealing grommet Ø 6...13 mm B cable gland Ø 4...14 mm X customized, see sales text & additional data sheet
A	Drive option	A cross hole Ø 4H12 B drive element Flat Shaft Adaptor X customized, see sales text & additional data sheet
	Additional option	X customized, see sales text & additional data sheet

Stromag Facilities

Europe

Germany

Hansastraße 120
59425 Unna - Germany
+49 (0) 23 03 102 0

*Clutches & Brakes, Couplings,
Geared Cam Limit Switches, Discs*

Dessauer Str. 10
06844 Dessau-Roßlau - Germany
+49 (0) 340 2190 0

Electromagnetic Clutches & Brakes

France

Avenue de l'Europe
18150 La Guerche sur L'Aubois - France
+33 (0)2 48 80 72 72

Disc Brakes & Drum Brakes

Great Britain

Amphill Road
Bedford, MK42 9RD - UK
+44 (0)1234 324347

*Electromagnetic Clutches & Brakes,
Industrial Caliper Brakes*

North America

USA

31 Industrial Park Road
New Hartford, CT 06057 - USA
860-238-4783

Electromagnetic Clutches & Brakes

300 Indiana Highway 212
Michigan City, IN 46360 - USA
219-874-5248

Couplings

2800 Fisher Rd.
Wichita Falls, TX 76302 - USA
940-723-3400

*Geared Cam Limit Switches,
Industrial Caliper & Drum Brakes*

South America

Brasil

Avenida João Paulo Ablas, 2970
Jardim da Glória, Cotia - SP,
06711-250 - Brasil
+55 (11) 4615-6300

*Flexible Couplings, Bearing
Isolators, and Coupling Guards*

Asia Pacific

China

T40B -5, No. 1765 Chuan Qiao Road
Pudong 201206, Shanghai - China
Tel +86 21-60580600

*Clutches & Brakes, Electromagnetic
Clutches & Brakes, Couplings, Industrial
Caliper & Drum Brakes, Discs, Geared
Cam Limit Switches*

India

Gat No.: 448/14, Shinde Vasti, Nighoje
Tal Khed, Pune- 410 501
+91 2135 622100

*Clutches & Brakes, Electromagnetic
Clutches & Brakes, Couplings, Industrial
Caliper & Drum Brakes, Discs, Geared
Cam Limit Switches, Wind Brakes*

Altra Renewable Energy

Denmark

Jernbanevej 9
5882 Vejstrup
+45 63 255 255

Wind Brakes

The Brands of Altra Motion

Couplings

Ameridrives
www.ameridrives.com

Bibby Turboflex
www.bibbyturboflex.com

Guardian Couplings
www.guardiancouplings.com

Huco
www.huco.com

Lamiflex Couplings
www.lamiflexcouplings.com

Stromag
www.stromag.com

TB Wood's
www.tbwoods.com

Linear Systems

Thomson
www.thomsonlinear.com

Geared Cam Limit Switches

Stromag
www.stromag.com

Engineered Bearing Assemblies

Kilian
www.kilianbearings.com

Electric Clutches & Brakes

Matrix
www.matrix-international.com

Stromag
www.stromag.com

Warner Electric
www.warnerelectric.com

Belted Drives

TB Wood's
www.tbwoods.com

Heavy Duty Clutches & Brakes

Twiflex
www.twiflex.com

Stromag
www.stromag.com

Svendborg Brakes
www.svendborg-brakes.com

Wichita Clutch
www.wichitaclutch.com

Gearing & Specialty Components

Bauer Gear Motor
www.bauergears.com

Boston Gear
www.bostongear.com

Delevan
www.delevan.com

Delroyd Worm Gear
www.delroyd.com

Nuttall Gear
www.nuttallgear.com

Engine Braking Systems

Jacobs Vehicle Systems
www.jacobsvehiclesystems.com

Precision Motors & Automation

Kollmorgen
www.kollmorgen.com

Miniature Motors

Portescap
www.portescap.com

Overrunning Clutches

Formsprag Clutch
www.formsprag.com

Marland Clutch
www.marland.com

Stieber
www.stieberclutch.com

Neither the accuracy nor completeness of the information contained in this publication is guaranteed by the company and may be subject to change in its sole discretion. The operating and performance characteristics of these products may vary depending on the application, installation, operating conditions and environmental factors. The company's terms and conditions of sale can be viewed at <http://www.altramotion.com/terms-and-conditions/sales-terms-and-conditions>. These terms and conditions apply to any person who may buy, acquire or use a product referred to herein, including any person who buys from a licensed distributor of these branded products.

©2021 by Stromag LLC. All rights reserved. All trademarks in this publication are the sole and exclusive property of Stromag LLC or one of its affiliated companies.